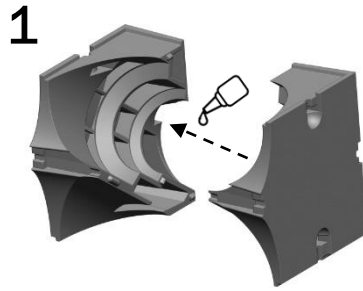


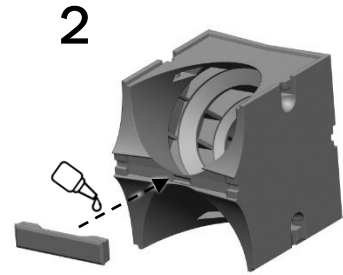


StackaRack Assembly Instructions

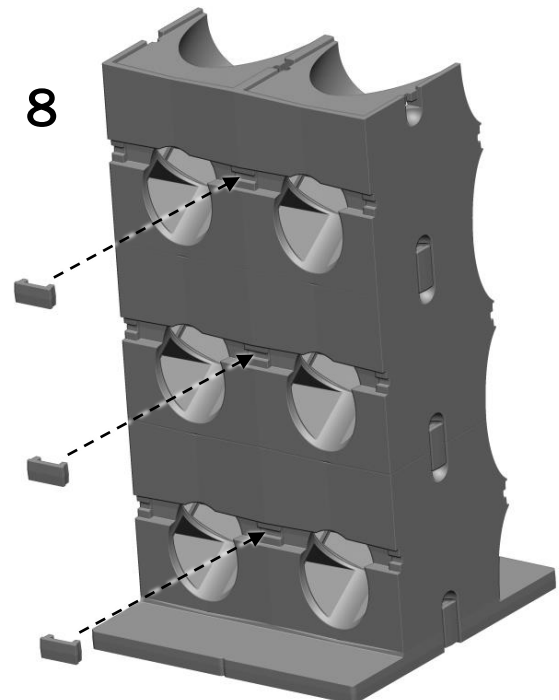
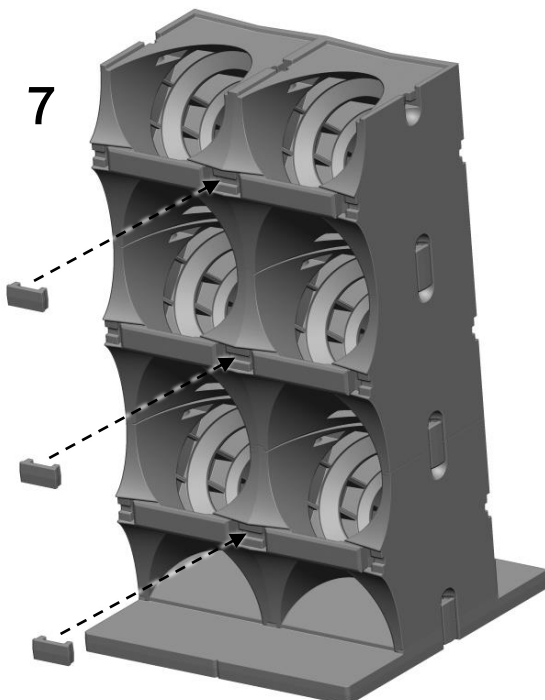
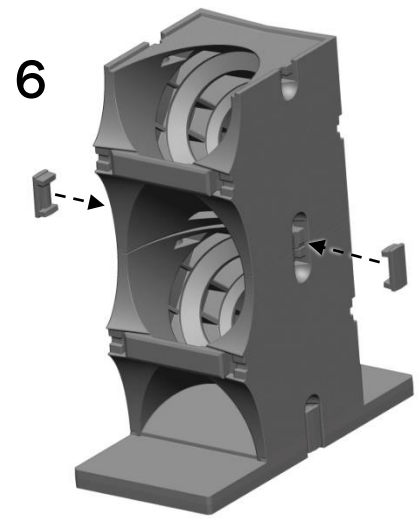
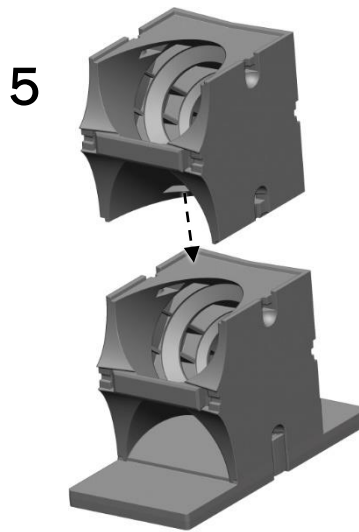
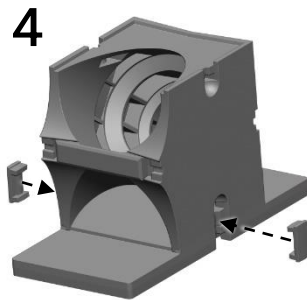
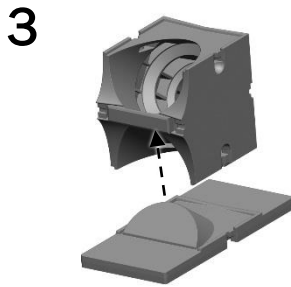
For best results, build vertical stacks first, and then join these together horizontally.



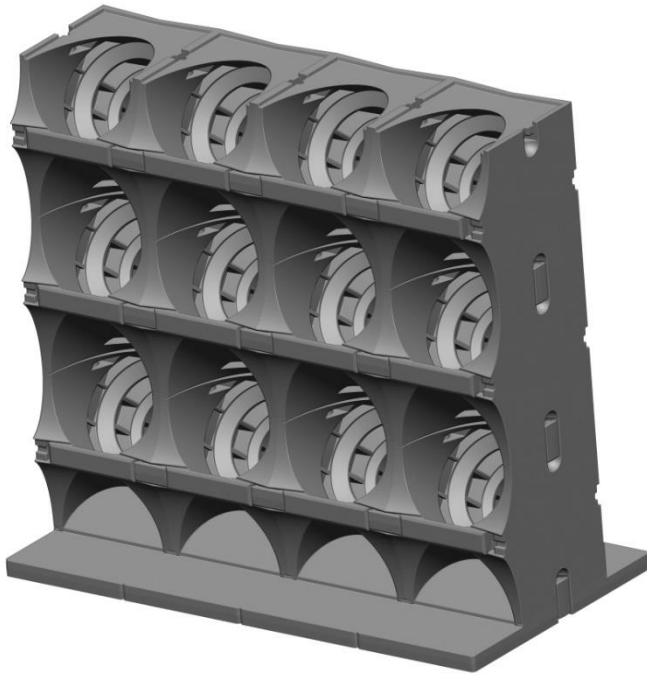
Glue the two unit halves together.



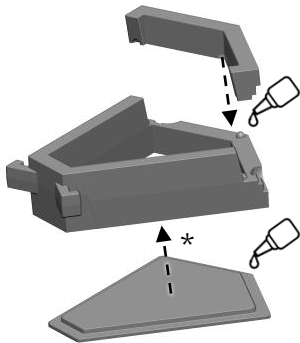
Glue on the front plate.



9



Spare base pieces can be attached upside-down to the top row to provide extra wall support.



*Optional

